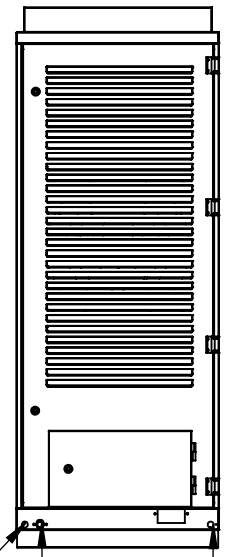
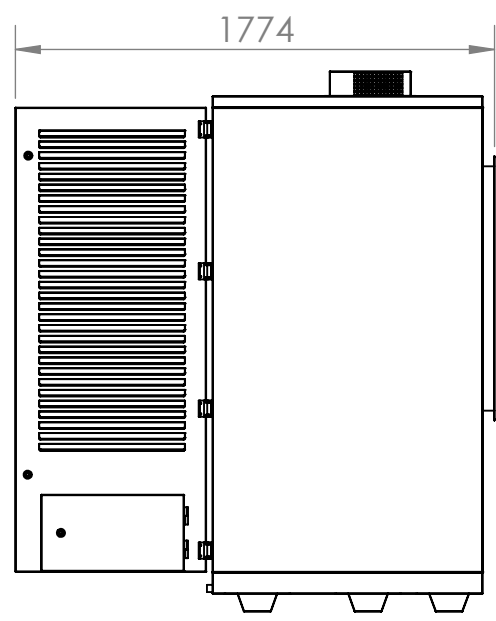
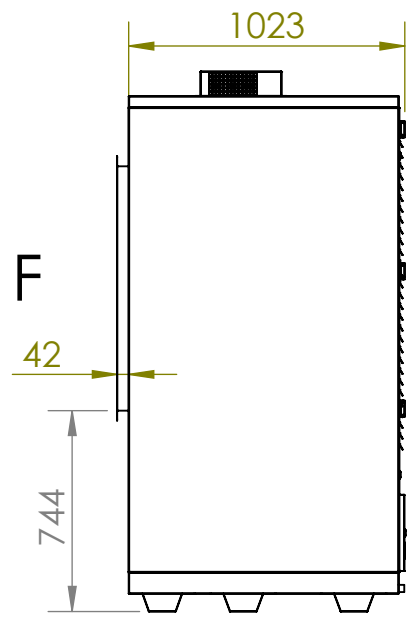
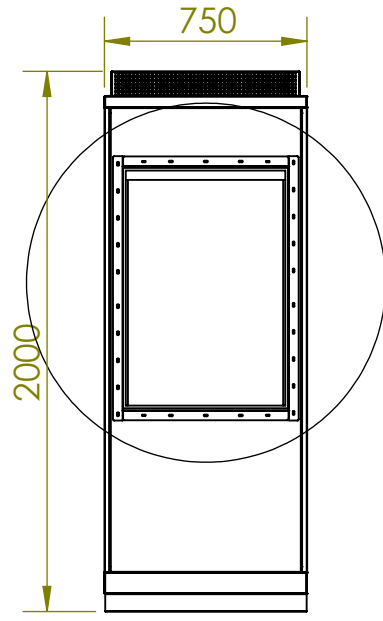


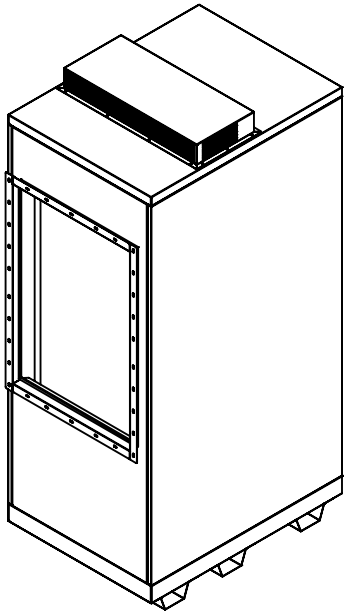
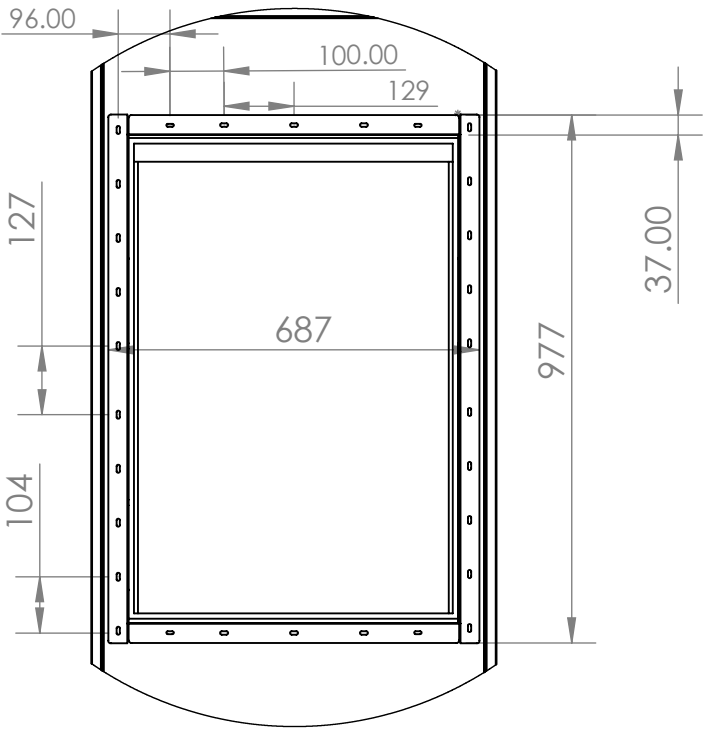
6 5 4 3 2 1



Drain House Flexible pipe 12mm

Water inlet washing machine hose 3/4"
BSP threaded connection

Power Cable inlet 1kW 3Phase 440v 50Hz



6 5 4 3 2 1

D
C
B
A

D
C
B
A